

## Add-On Vibrators



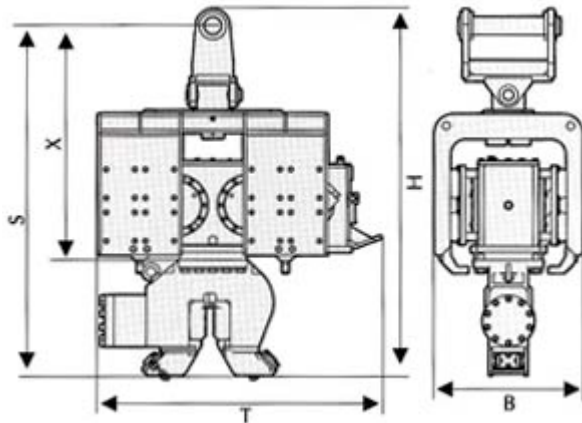
### Main features:

Hydraulic add-on vibrators are mounted to the boom of a hydraulic excavator instead of the bucket and are connected to the hydraulic system for driving and extracting trench sheets, sheet piles, H-piles or steel pipes up to a length of 7 m (depending on the boom length)

- Very compact design and low point of gravity
- Excellent performance due to large static moment and push-down with the excavator
- Very little impact to nearby structures due to high-frequency (city vibrators)
- Simple handling of piles with lifting chain
- Very economical as no separate power pack is required
- The piling length can be extended up to 8 or 10 m with excavators having a long boom and stick or when using a 'goose neck'

Technical Datas		HVR 45	HVR 60	HVR 75	HVR 85	HVR 100
Centrifugal force	kN	300	400	500	500	500
Static moment	Nm	45	60	75	85	100
Frequency max.	rpm	2460	2460	2460	2300	2135
Oil pressure max.	bar	320	320	320	320	320
Oil flow max.	l/min	130	196	262	245	312
Hydraulic power	kW	70	100	140	130	170
Static pulling force	kN	40	40	80	80	80

Technical Datas		HVR 45	HVR 60	HVR 75	HVR 85	HVR 100
Dynamic weight	kg	740	920	1475	1480	1495
Total weight	kg	1100	1260	2050	2055	2080
Weight of piles	kg	800	1000	1400	1500	1600
Overall height	mm	1595	1635	1865	1865	1865
Width	mm	1050	1170	1445	1445	1445
Depth	mm	615	615	750	750	750



**All our add-on vibros are supplied with:**

- Universal sheet pile clamp
- Mounting adapter to excavator boom
- Hydraulic hose set
- Storage plate
- Complete set of manuals

We reserve the right to change technical specifications without prior notice.